

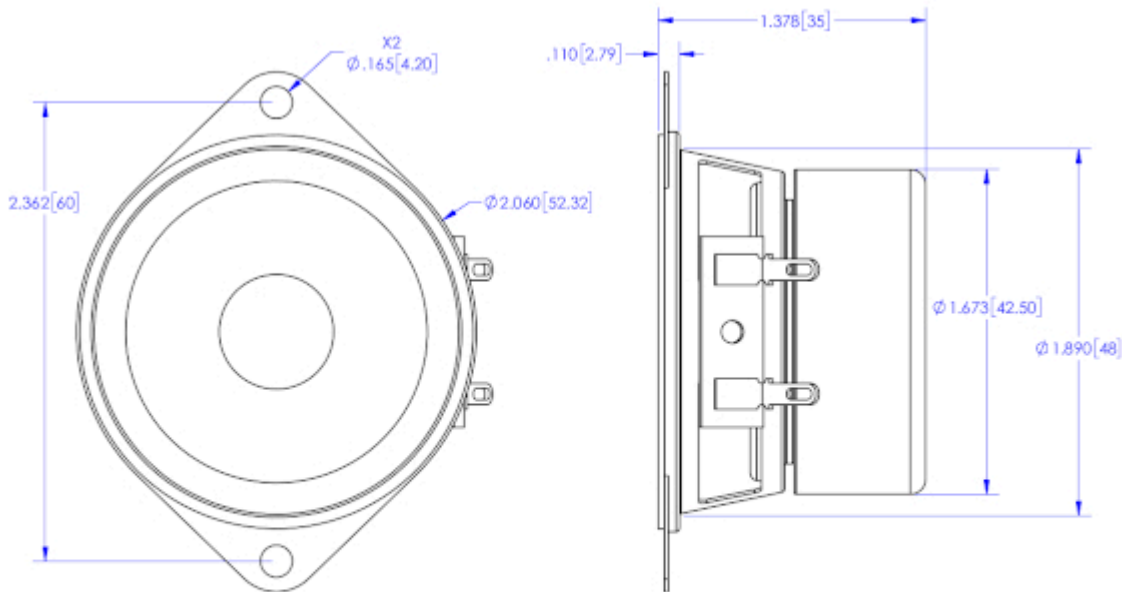
This is a universal fit 2" (50 mm) shielded speaker. Designed for voice and wide range audio, this speaker has an amazingly flat response! It is ideal for small enclosures or line arrays. Its HE-shielded ferrite magnet helps deliver clear, clean voice audio. It features a two-hole mount design for ease of front or rear flush mounting.

- Wide range speaker
- 2" (50 mm) basket diameter
- 3 watts, 8 ohms, 84 dB SPL
- 1" copper voice coil, paper former
- Shielded ferrite magnet, stamped steel basket
- Paper cone, cloth surround



Primary Specifications

Size, Nominal (inch & mm)	2" (50 mm)
Rated Impedance (Ω)	8
Sensitivity (dB SPL) ¹	84
Frequency Range (Hz)	200 - 20,000
Resonant Frequency (Fs) (Hz) +/- 15%	200



OAKTRON
by MISCO

P/N: 50FF08-SH

More Specifications

Application	Casino Gaming, Indoor, Medical, Voice Communications
RoHS Compliant	Yes
DC Resistance (Re) (Ω)	7.3
Program Power (W)	6

Small Signal Parameters

Nominal Impedance (Z) (Ω)	8
DC Resistance (Re) (Ω)	7.3
Voice Coil Inductance (Le) (mH)	0
Resonant Frequency (Fs) (Hz) +/- 15%	200
Mechanical Q Factor (Qms)	3.2
Electrical Q Factor (Qes)	3.9
Total Q Factor (Qts)	1.60

Material Descriptions

Basket Type	Stamped steel with zinc plating
Terminal Size (mm)	2.8 X 0.5
Voice Coil Diameter (mm)	15.2
Voice Coil Wire Material	Copper
Voice Coil Former Material	Engineered paper
Magnet Material	Shielded ferrite
Magnet Weight (g)	20
Cone Body Material	Engineered paper
Cone Surround Material	Pre-treated black cloth
Spider Material	Cotton
Dust Cap Material	Engineered paper
Net Weight (kg)	0.10

