

A powerful, full range OEM speaker with an attached paper whizzer for clearer high frequencies—made for line arrays, voice communications, and musical instruments like electrical organs. This driver includes a 20 Oz dual magnet for louder sound production, a corrugated surround to decrease distortion, a paper composite cone, and a 1" copper voice coil.

- Full range speaker
- 6 x 9" (150 mm x 229 mm) steel basket diameter
- 35 watts, 8 ohms, 93 dB SPL
- 1" copper voice coil, aluminum former
- 20 Oz ferrite magnet
- Paper composite cone, corrugated cloth surround

Available as a single magnet solution in 4 ohms ([JC69CD-4](#)) and 8 ohms ([JC69CD](#)) for more space conscious applications.



#### Primary Specifications

<b>Size, Nominal (inch &amp; mm)</b>	6" Oval (152 mm)
<b>Rated Impedance (<math>\Omega</math>)</b>	8
<b>Sensitivity (dB SPL) <sup>1</sup></b>	93
<b>Frequency Range (Hz)</b>	40 - 15,000
<b>Resonant Frequency (Fs) (Hz) +/- 15%</b>	61

### More Specifications

<b>Application</b>	Arcade Gaming, Auto / Motorcycle, Home Audio, Indoor, Musical Instruments, Transit, Voice Communications
<b>RoHS Compliant</b>	Yes
<b>DC Resistance (Re) (<math>\Omega</math>)</b>	7.7
<b>Program Power (W)</b>	70

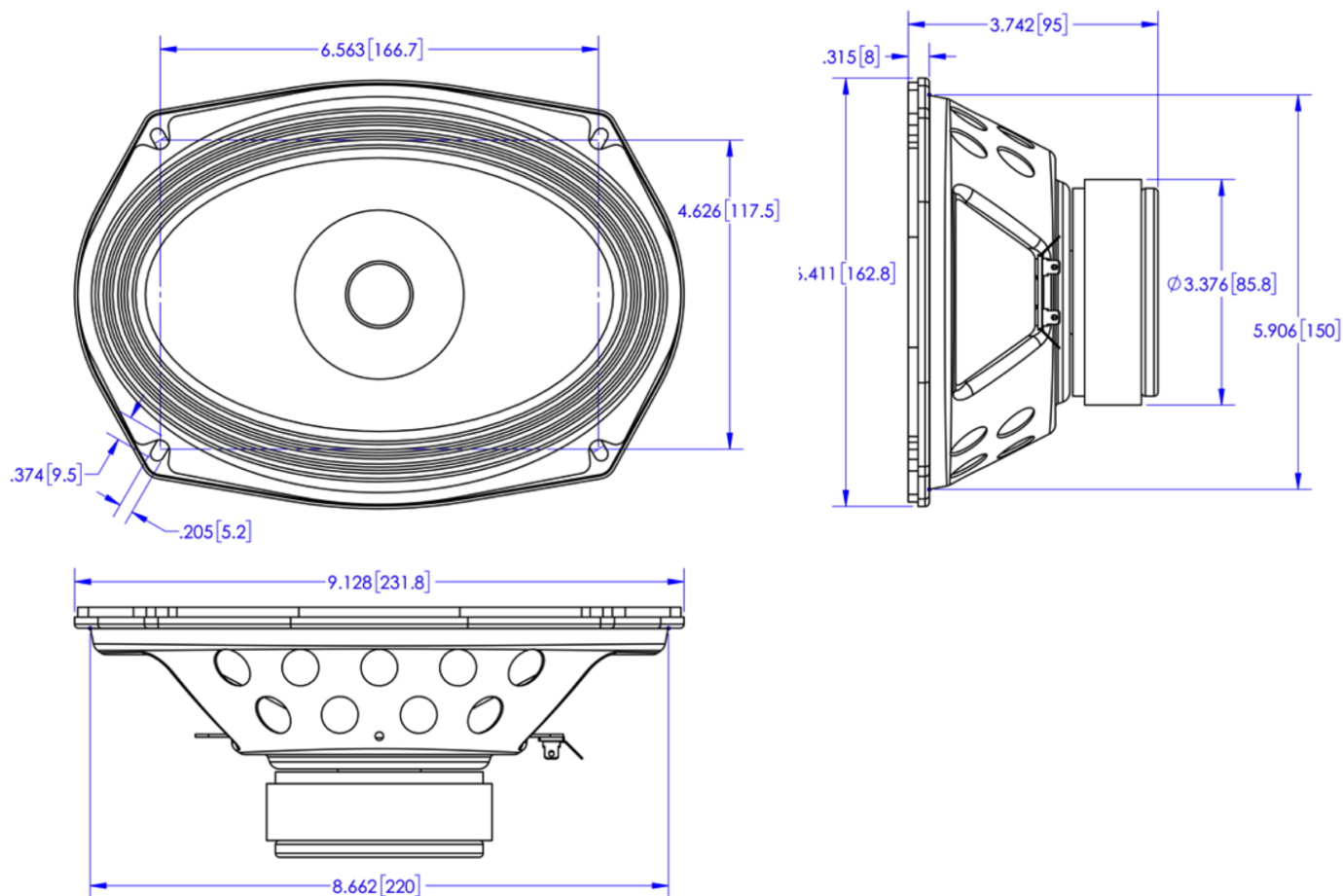
### Small Signal Parameters

<b>Nominal Impedance (Z) (<math>\Omega</math>)</b>	8
<b>DC Resistance (Re) (<math>\Omega</math>)</b>	7.7
<b>Voice Coil Inductance (Le) (mH)</b>	0.42
<b>Resonant Frequency (Fs) (Hz) +/- 15%</b>	61
<b>Mechanical Q Factor (Qms)</b>	2.80
<b>Electrical Q Factor (Qes)</b>	0.75
<b>Total Q Factor (Qts)</b>	0.59

### Material Descriptions

<b>Basket Type</b>	Stamped steel with black powder coat
<b>Terminal Size (mm)</b>	5.2 x 0.5 mm
<b>Voice Coil Diameter (mm)</b>	25.8
<b>Voice Coil Wire Material</b>	Copper
<b>Voice Coil Former Material</b>	Aluminum
<b>Magnet Material</b>	Ferrite
<b>Magnet Weight (g)</b>	560
<b>Cone Body Material</b>	Engineered paper fiber
<b>Cone Surround Material</b>	Corrugated treated cloth
<b>Spider Material</b>	Cotton
<b>Dust Cap Material</b>	Paper high frequency dual cone
<b>Net Weight (kg)</b>	1.3





**OAKTRON**  
by **MISCO**

**MODEL: 150X229-FR08-01**

**P/N: 93093**