

This wide range midwoofer driver provides clear sound and robust bass in compact speaker systems. It features a lightweight, polypropylene cone with a high compliance, half-roll rubber surround impervious to water. This driver is ideal for use in a wide variety of applications, including medical equipment audio, home theater systems, alarms and security, automobiles and motorcycles, drive-thrus, arcade speakers, and more.

- Wide range speaker
- 2.25" x 4" (57 mm x 102 mm) basket diameter
- 10 watts, 6 ohms, 84 dB SPL
- 0.8" aluminum voice coil, polyimide film
- Neodymium ring magnet, stamped steel basket
- Polypropylene cone, rubber surround

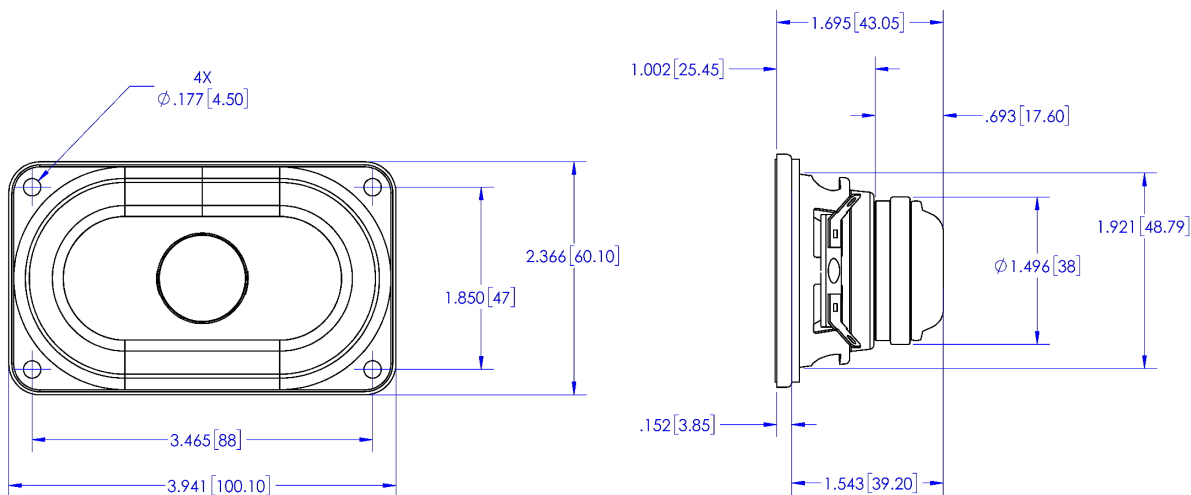


Oaktron by MISCO is the premium line of high performance, ready-to-ship transducers and drivers for a wide variety of applications including high fidelity, arcade, and casino games, automotive, aerospace and many more. From elegantly simple to highly specialized designs for unique and demanding applications, there is an Oaktron loudspeaker perfectly suited for your needs.

MISCO engineers use the world's most sophisticated loudspeaker measurement systems including the Klippel Analyzer to maximize and validate the speaker's design, as well as the Klippel QC module to ensure perfect unit to unit consistency and reliability.

Primary Specifications

Size, Nominal (inch & mm)	2" Oval (50 mm)
Rated Impedance (Ω)	6
Continuous Power (W)	10
Sensitivity (dB SPL) ¹	84
Frequency Range (Hz)	100 - 10,000
Resonant Frequency (Fs) (Hz) +/- 15%	130



More Specifications

Application	
RoHS Compliant	Yes
DC Resistance (Re) (Ω)	6.1
Program Power (W)	20
Continuous Power (W)	10

Small Signal Parameters

Nominal Impedance (Z) (Ω)	6
DC Resistance (Re) (Ω)	6.1
Voice Coil Inductance (Le) (mH)	0.21
Resonant Frequency (Fs) (Hz) +/- 15%	130
Mechanical Q Factor (Qms)	6.42
Electrical Q Factor (Qes)	1.46
Total Q Factor (Qts)	1.19
Moving Mass (Mms) (gm)	3.1
Suspension Compliance (Cms) (mm/N)	0.49
Mechanical Resistance (Rms) (kg/s)	0.39
Surface Area of Diaphragm (Sd) (cm²)	31.9
Compliance Equivalent Volume (Vas) (L)	0.70
Maximum Linear Excursion (Xmax) (mm)	2.45
Coil Winding Height (mm)	8.9
Magnetic Gap Height (mm)	4.0
Motor Force Factor (BL) (T•M)	3.2
Efficiency (η_0) (%)	0.10
Efficiency Bandwidth Product (EBP) (Fs/Qes)	89.3

Material Descriptions

Basket Type	Stamped steel, black powder coat finish
Terminal Size (mm)	5.2 x 0.5 mm
Voice Coil Diameter (mm)	19.3
Voice Coil Wire Material	Copper clad aluminum
Voice Coil Former Material	Polyimide film
Magnet Material	Neodymium ring magnet
Cone Body Material	Polypropylene
Cone Surround Material	Rubber

Spider Material	Cloth
Dust Cap Material	Polypropylene
Net Weight (kg)	0.16



Frequency & Impedance Response

